

Hempaspeed TF

The future is now -
sustainable solution for
underwater protection.

hempelyacht.com



- ✓ Hard, thin-film, biocide-free
- ✓ No run-off contamination
 - ✓ Easy to convert
- ✓ Ultra-smooth finish
- ✓ Minimizes growth & drag

PATENT PENDING

New technology for underwater protection - Hempaspeed TF



Available in shades:

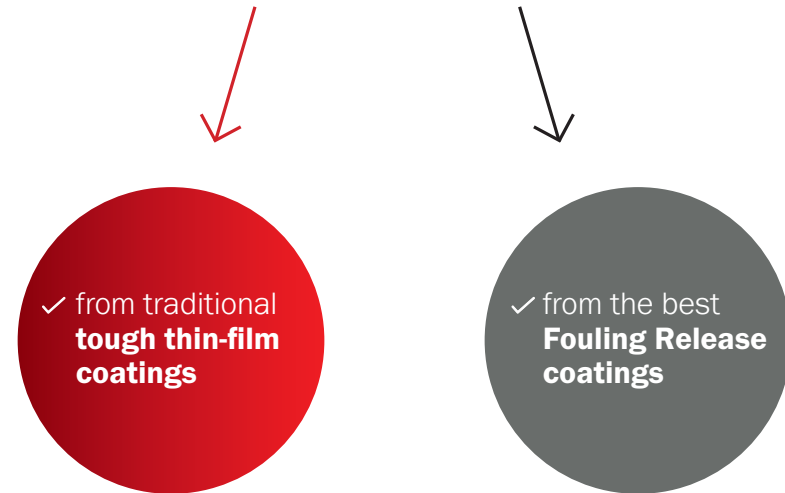
- True Blue
- Ultimate White
- Black
- Penta Grey

New patent pending technology
Hempaspeed TF is a hard biocide-free, thin-film coating with an ultra-smooth finish. It minimises growth & drag, is extremely easy to clean even with high pressure washing, and with no risk for run-off contamination.

For which type of boats and waters?
The Hempaspeed TF is a perfect fit for pleasure boats sailing on lakes & rivers, for regatta sailing boats, powerboats and trailer boats, especially for areas where restrictions do not allow use of biocides. Cleaning may be necessary in areas of high fouling during the season.

How does it work?

Through infusion of our patented **hydrogel technology** into a traditional robust **acrylic** film.



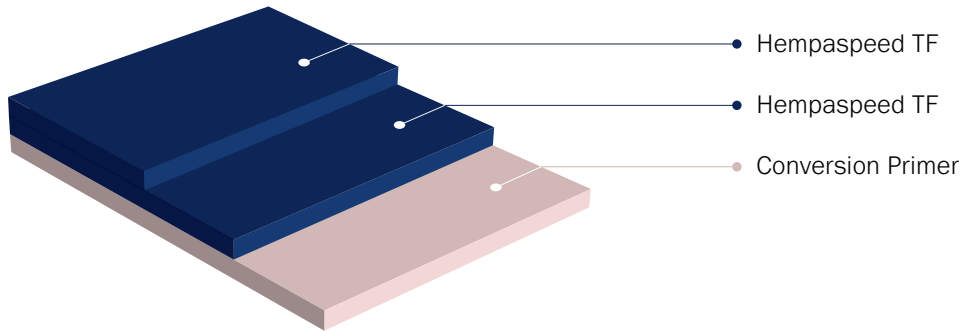
What makes Hempaspeed TF a good choice?

- ✓ Thin-film biocide-free
- ✓ Robust hard coating
- ✓ Ultra-smooth finish
- ✓ Minimizes growth & drag
- ✓ Easy to convert
- ✓ Easy to clean surface yet tough to withstand boat washers
- ✓ No run-off contamination
- ✓ No chemicals needed when cleaning
- ✓ Safe for use on aluminium hulls

Application

Conversion system on top of old antifouling

Apply layers of the system as indicated below:

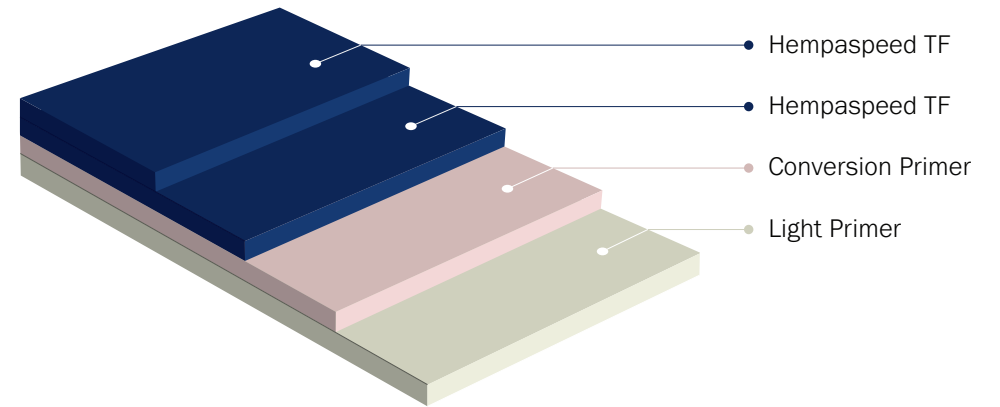


For full season protection - no need to remove old coating, just 1 coat of Hempel's Conversion Primer needs to be applied before applying 2 coats of Hempaspeed TF.

Can be overcoated after:							
Layers	Hempel's	10°C		20°C		30°C	
		Min	Max	Min	Max	Min	Max
1.	Conversion Primer	30 min	1h	30 min	1h	30 min	1h
2.	Hempaspeed TF	8h	48h	4h	48h	3h	48h
3.	Hempaspeed TF						

Boats without antifouling

Apply layers of the system as indicated below:



Note: New gelcoats need to be epoxy primed to a minimum of 300 micron dry film thickness.

Can be overcoated after:							
Layers	Hempel's	10°C		20°C		30°C	
		Min	Max	Min	Max	Min	Max
1.	Light Primer	8h	60d	4h	30d	3h	22d
2.	Conversion Primer	30 min	1h	30 min	1h	30 min	1h
3.	Hempaspeed TF	8h	48h	4h	48h	3h	48h
4.	Hempaspeed TF						

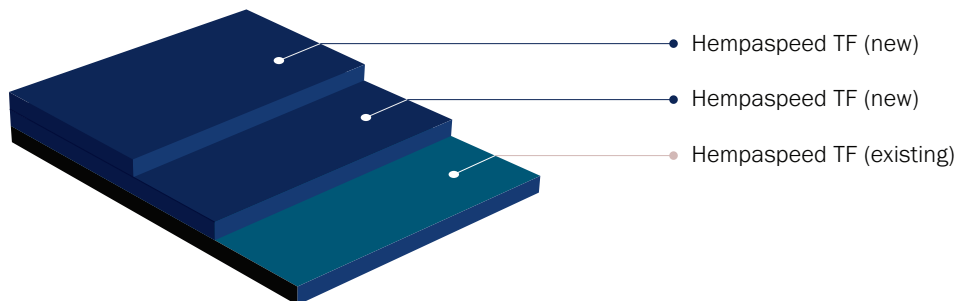
Maintenance

Seasonal recoating

1. Wash with Hempel's Pre-Clean and rinse with freshwater.
2. Sand the entire underwater area (easiest done with 80 grit paper on a sanding machine).
3. Remove all dust and paint flakes.
4. Apply layers of the system as indicated below:



Hempaspeed TF



Cleaning might be required during the season.

		Can be overcoated after:					
Layers	Hempel's	10°C		20°C		30°C	
		Min	Max	Min	Max	Min	Max
1.	Hempaspeed TF	8h	48h	4h	48h	3h	48h
2.	Hempaspeed TF						

General Application Advice

- Please read and carefully follow all the instructions on the label before painting.
- Consider the total process including surface preparation and paint specification.
- Painting should be avoided if there is a risk of rain.

New technology for underwater protection.

No matter if you are racing or just cruising, respect yourself, your boat and the environment.

Use Hempaspeed TF.



Hempaspeed TF is a hard, thin-film coating. Forms an ultra-smooth surface that minimizes growth and reduces drag. For use on boats of glass fibre, steel and aluminium. Suitable for pleasure boats, powerboats and regatta boats. Cleaning may be necessary in areas of high fouling during the season.

Hempaspeed TF

New technology for underwater protection

As a world-leading supplier of trusted coating solutions, Hempel is a global company with strong values, working with customers in the protective, marine, decorative, container and yacht industries. Hempel factories, R&D centres and stock points are established in every region. Across the globe, Hempel's coatings protect surfaces, structures and equipment. They extend asset lifetimes, reduce maintenance costs and make homes and workplaces safer and more colourful. Hempel was founded in Copenhagen, Denmark in 1915. It is proudly owned by the Hempel Foundation, which ensures a solid economic base for the Hempel Group and supports cultural, social, humanitarian and scientific purposes around the world.

Hempel UK Ltd.

Berwyn House
The Pavillions
Llantarnam Park, Cwmbran
South Wales
NP443FD